

Turning Quality Into Concrete



MINI
BELT
LOADER

Quick
and Easy Loading
A Million Yards and Counting!



Cart-Away Concrete Systems, Inc.

Hydraulic Power Unit



6-Foot Load-Over Height

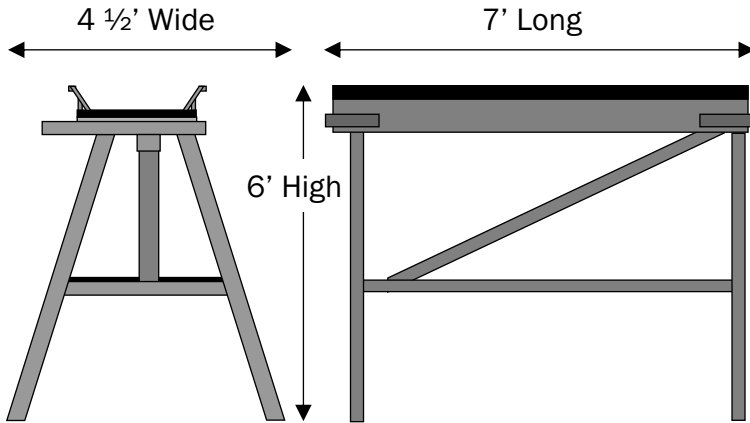


7-Foot Long Conveyor Belt



1-800-909-9809

MINI **BELT** LOADER



- Shipping Weight - 950lbs with Power Unit
- 10 gal. per min. High Torque Hyd. Motor
- Power Coated Components
- Power Unit has 28 gal. Hyd. Fluid Capacity

The Mini Belt Loader for Portable Mixing Trailers

- SIMPLE START-UP SYSTEM** that provides efficient loading of the Cart-Away mixing trailers.
- LOW INVESTMENT** allows operators to enter the ready-mixed concrete business with quick return on investment.
- SMALL FOOTPRINT** provides a functioning concrete system that can be installed in restricted spaces.
- PORTABLE** with no need for permanent slabs or hook-ups. Can be moved to remote locations.
- USER-FRIENDLY DESIGN** makes it easy to load, simple to maintain and to operate.
- BOLTS TOGETHER** for easy set-up and portability.



1405 Alpha Drive • McMinnville, Oregon 97128
1-800-909-9809 • 503-434-4444 • FAX 503-434-5888

email: sales@cart-away.com

www.cart-away.com

**Call a Cart-Away Expert.
1-800-909-9809**